

STALWART

Biological Microscope STM-2038 Series



STM-2038B1,B2

Introduction

STM-2038 series microscopes are specially designed for college education, medical and laboratory study. They adopt Infinite optical system, beautiful structure and ergonomic design. With an innovative optical and structure design, excellent optical performance and easy to operate system, these biological microscopes make your works enjoyable.

Features

- Excellent infinite optical system with High resolution and perfect definition.
- Comfortable operating with ergonomic design.
- 100X water objective is available for convenient viewing.
- Unique LED illumination system, provide bright and comfortable lighting.
- Winding device for cable, easy to move and storage.
- Various accessories for upgrading.



Wire Winding Device



Rackless(Integrated) Stage



100× Water objective



Simple polarizing unit
Polarizer & analyzer



Dark Field Unit
available for 4x-
60x objective

Specification

Item	Specification	STM-2038B1	STM-2038B2
Optical System	Color Corrected Infinite Optical System	Standard	Standard
Viewing Head	Seidentopf Binocular Head, Inclined 30°, Rotatable 360°, Interpupillary Distance: 48-75mm	Standard	Standard
	Seidentopf Trinocular Head, Inclined 30°, Rotatable 360°, Interpupillary Distance: 48-75mm, Light Distribution: 20:80	Optional	Optional
Eyepiece	WF10×/20mm (High eyepoint)	Standard	Standard
	WF16×/13mm	Optional	Optional
	WF10X/20mm(High eyepoint, Focus non-adjustable, Reticule 0.1mm)	Optional	Optional
	WF10X/20mm(High eyepoint, Focus adjustable, Reticule 0.1mm)	Optional	Optional
Infinite Objective	E-Plan 4×/0.10	Standard	Optional
	E-Plan 10×/0.25	Standard	Optional
	E-Plan 40×/0.65(S)	Standard	Optional
	E-Plan100×/1.25(S, Oil)	Standard	Optional
	Plan 4×/0.10	Optional	Standard
	Plan 10×/0.25	Optional	Standard
	Plan 20×/0.40(S)	Optional	Optional
	Plan 40×/0.66(S)	Optional	Standard
	Plan 60×/0.80(S)	Optional	Optional
	Plan 100×/1.25(S, Oil)	Optional	Standard
	Plan 100×/1.15(S, Water)	Optional	Optional
Nosepiece	Backward Quadruple Nosepiece	Standard	Standard
Mechanical Stage	Size 145mm×140mm, Travel Range:76mm×52mm, Scale: 0.1mm, Two Slide Holder	Standard	Standard
	Rackless(integrated) Stage, Size 140mm×135mm, Travel Range: 75mm×35mm, Scale: 0.1mm, Two Slide Holder	Optional	Optional
Abbe Condenser	N.A.1.25, With iris Diaphragm	Standard	Standard
Focusing	Coaxial Coarse and Fine Focusing Knob, Coarse Focusing Travel Range: 25mm, Fine division: 2μm	Standard	Standard

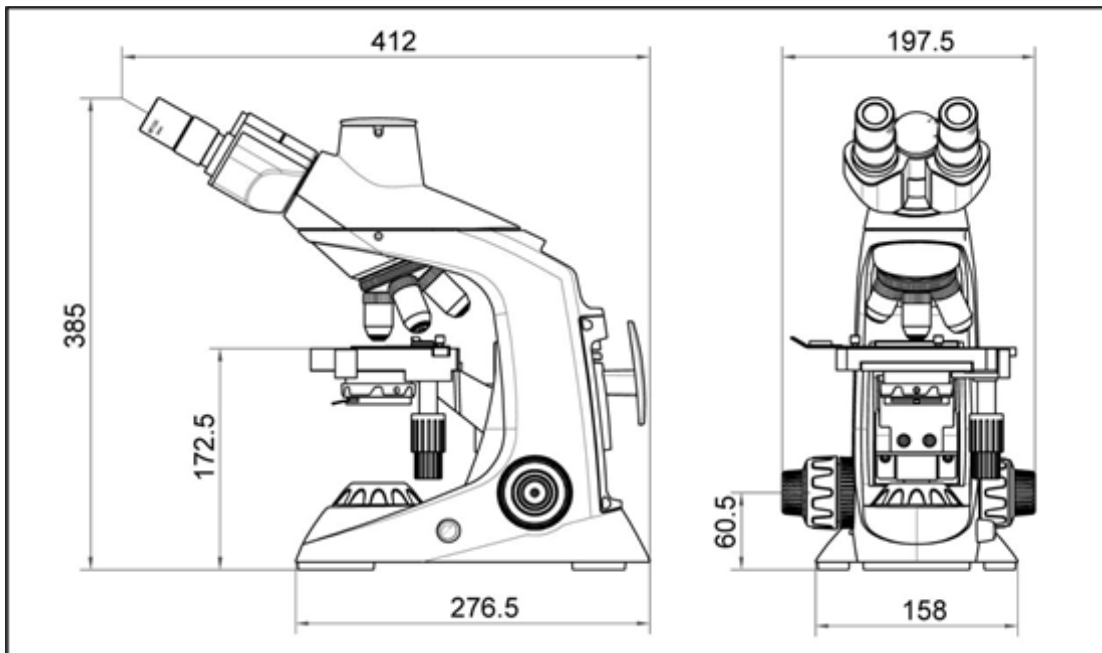
Specification

Illumination	3W LED Illumination, Voltage: 100V-240V	Standard	Standard
Dark Field Unit	Dark Field Ring (Dry, N.A.0.9), used for 4X, 10X, 20X, 40X, 60X objective	Optional	Optional
Polarizing Unit	Analyzer, Polarizer	Optional	Optional
C-mount	1× C-mount	Optional	Optional
	0.5× C-mount (Focus adjustable)	Optional	Optional
Wire Winding Device	Wind cable on back of the microscope	Standard	Standard
Filter	Blue/ Green/ Yellow	Optional	Optional

Accessories

STM-2038 series microscopes are ideal instrument in biological, histological, pathological, bacteriology, immunizations and pharmacy field and can be widely used in medical and sanitary establishments, laboratories, institutes, academic laboratories, colleges and universities.

Dimension



Sample Picture

